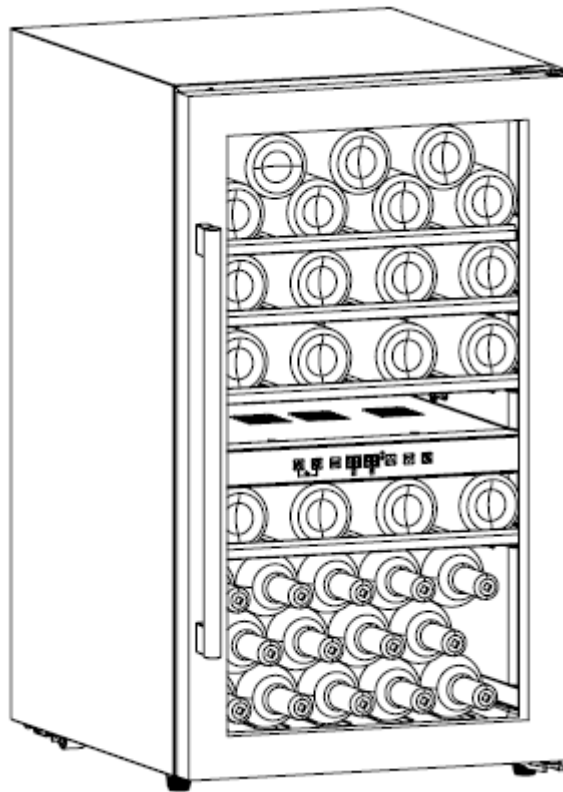


Wine Cooler

Instruction Manual

CC124DB



NOTE:

*Thank you for your purchase and use our compressor wine cooler !
This product is used to chill wine.
Our product will create perfect temperature and humidity
environment to store your collection of wine quietly and peacefully.*

www.cavecool.com

Content

Safety instructions & warnings.....	1-3
Installation.....	3
Description of the appliance.....	4-6
Operation.....	7-10
Troubleshooting.....	11
Maintenance and cleaning.....	12
Technical parameters.....	13



Safety instructions & warnings

Your safety is of the utmost importance to our company. Please make sure that you read this instruction booklet before attempting to install or use the appliance. If you are unsure of any of the information contained in this booklet, please contact the Technical Department.



Prohibition



Warning



Caution



Caution

- This appliance can be used by children aged from 8 years and above and persons with reduced physical, sensory or mental capabilities or lack of experience and knowledge if they have been given supervision or instruction concerning use of the appliance in a safe way and understand the hazards involved. Children shall not play with the appliance. Cleaning and user maintenance shall not be made by children without supervision.
- Children should be supervised to ensure that they do not play with the appliance.
- This appliance is intended for HOUSEHOLD USE ONLY and not for commercial or industrial use.



Warning

- Keep ventilation openings, in the appliance enclosure or in the built-in structure, clear of obstruction.
- Do not use mechanical devices or other means to accelerate the defrosting process, other than those recommended by the manufacturer.
- Do not damage the refrigerant circuit.
- Do not use electrical appliances inside the storage compartments of the appliance, unless they are of the type recommended by the manufacturer.
- Make sure that the appliance is connected to power supply in accordance with the rating label.
- Use an independent grounded socket with 10A or higher, do not connect to transformer or socket with multiple outlets.
- Make sure socket is grounded properly and do not modify power cord & plug.
- Connect power plug with socket firmly in case of possible risk of fire.
- Plug should be within reach for easy disconnection after the appliance positioned in case of accidents occurred.



- Do not store or burn gasoline or other inflammables near the appliance in case of possible fire.
- Do not store inflammables, explosives, acid & alkaline liquids etc. in the compartment of the appliance.
- Do not operate other appliances in the compartment.

Child Safety

- Do not allow child play inside the appliance in case of entrapment.
- Do not allow child hang on the door to play in case of falling of the appliance.
- Do not allow child reach into compressor compartment or touch metal components at rear of the appliance in case of possible injury.

Keep away from water

- Do not spray water on the appliance or wash the appliance by pouring or filling water in case of invalid insulation and possible electric shock.

Be careful of freezing

- Do not touch surface of the liner inside the compartment, especially with wet hand, in case of frozen injury while the appliance is in operation.

Do not open the door for long periods

- Opening the door for long periods can cause a significant increase of the temperature in the compartments of the appliance.

Modification on the appliance not allowed

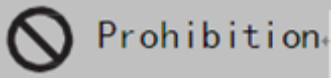
- Do not reconstruct the appliance by yourself which might cause damages to the appliance.

Unplug the appliance under certain conditions

- Unplug the appliance before cleaning & maintenance.
- Unplug the appliance when power cut occurred.

Disposal of the appliance

- Please according to local regulations regarding disposal of the appliance for its flammable refrigerant and blowing gas.
- Before you scrap the appliance, please take off the doors to prevent children trapped.
- Send the appliance to the designated disposal location.



Do not damage the power cord

- Do not disconnect the appliance by pulling power cord rather than pulling the plug.
- Do not set the appliance above the power cord or step on the cord intentionally.
- Put the power cord at right place when moving the appliance.

When the power cord is damaged

- Do not use damaged power cord, and get it replaced immediately by manufacturer service agent or by qualified electrician.
- If needed, extend the power cord with cord of 0.75mm² or bigger by qualified electrician

Installation

Position

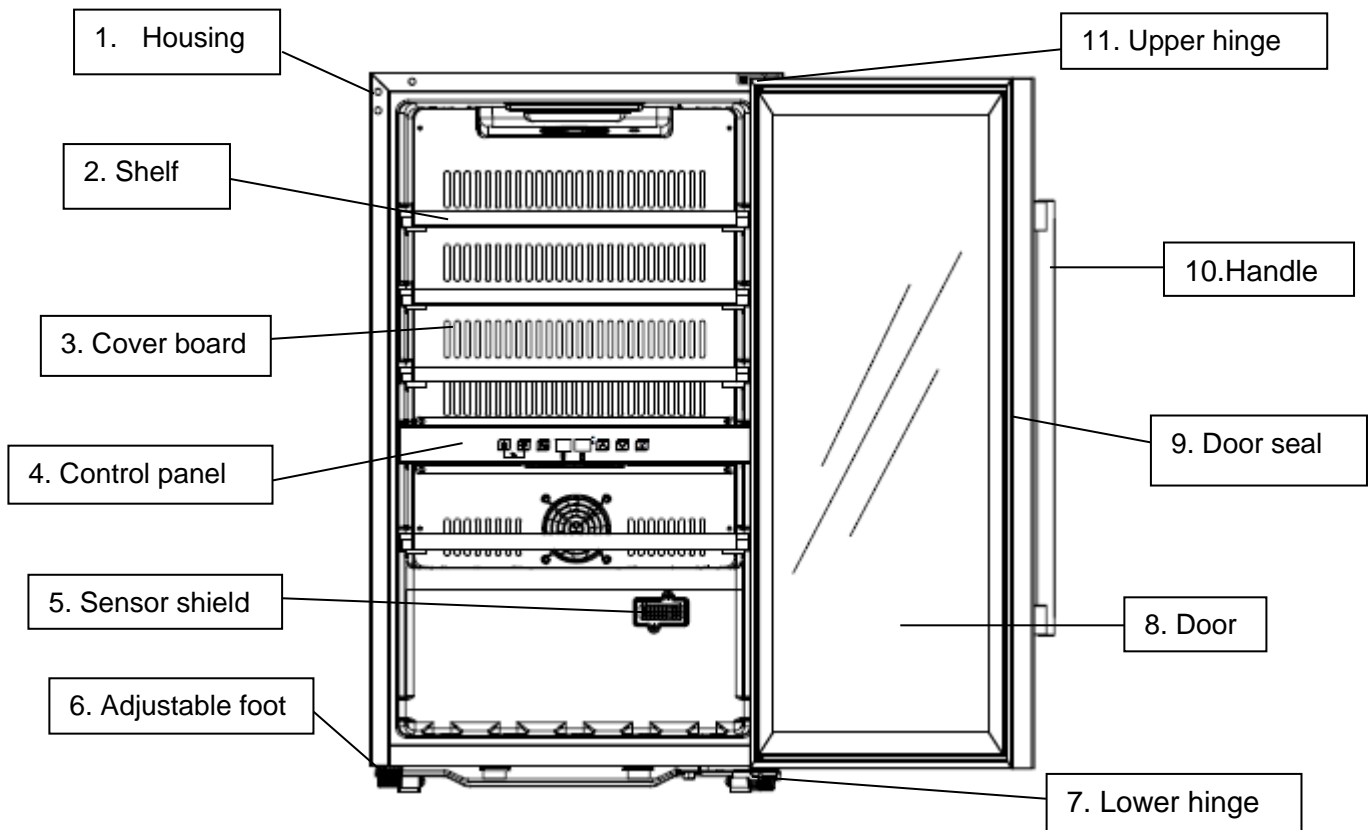
- ⚠ Do not lean the appliance over 45° when moving it to position.
- ⓘ Do not put the appliance in the wet place.
- ⊘ Do not use the appliance in the frozen place.
- ⊘ Do not use the appliance outdoor in case of sunlight or rain.

The appliance must be set with 10 cm wider space around for good ventilation; it is normal for the housing of the cabinet getting heat when it's in operation.

Wine bottles could be stored when you feel cooling inside after the appliance operates around 1 hour.

Description of the appliance

Overall image



Note:

Shelves, door frame, handle and other accessories could be different according to different models and configuration.

All photos or drawings in this manual are for reference. The appliance you buy might not be exactly the same as shown here.

Please refer to the actual product.

Installing handle and reversing the door

1. Install handle to the door frame of the appliance

The handle is delivered in a separated package with screws together inside the carton.

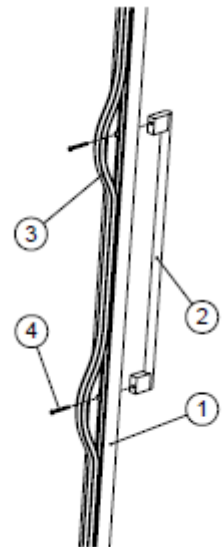
- ① Reveal two small holes on the door frame from inner side by pulling out a bit the door seal
- ② Aim the handle to the holes and insert the screws from inside
- ③ Screw them up with screwdriver
- ④ Put back door seal to cover the screws.

2. Reversing the door

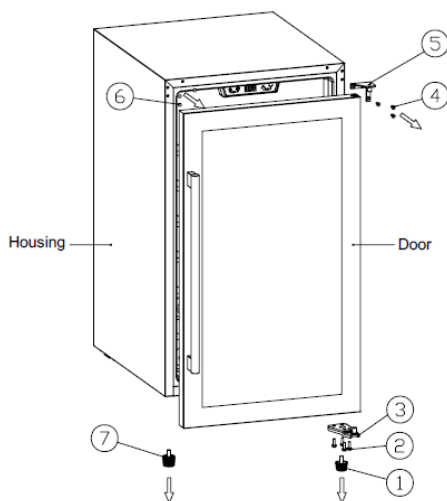
Our wine coolers are delivered with the door opening from left to right. To reverse the opening direction:

Refer to picture 1:

- 1) Close the door.
- 2) Remove the short cabinet foot① at the bottom right corner, Unscrew the screws②, Take off the right lower door hinge③, Move the door down a short distance, then remove the door and place it aside.
- 3) Unscrew the screws④, Take off the right upper door hinge⑤, Take off the hinge hole cover⑥ at the upper left corner, Remove the cabinet foot⑦ at the lower left corner.



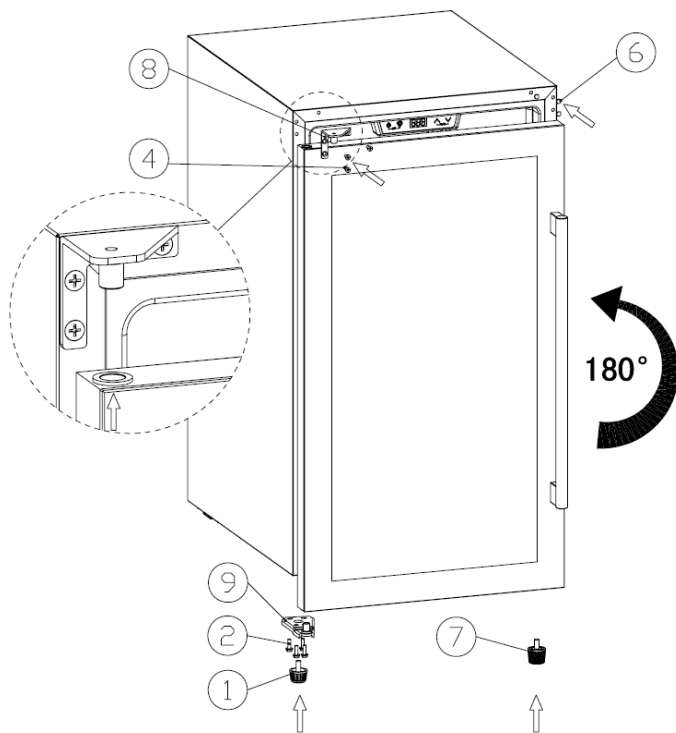
Picture 1



Refer to picture 2:

- 4) Install the left upper hinge⑧ (extra hinge, packed seperately) and screw the screws ④.
- 5) Place the door upside down by 180 degree to ensure that the handle is on the right. Then install the door by making the hole on the upper corner of the door match with the stopper of the left upper hinge⑧, install the lower left door hinge⑨, screw the screws②, install the short cabinet foot① to the left bottom corner, install the longer cabinet foot⑦ to the right, and finally install the hinge hole cover⑥ in turn.

Picture 2



Operation

Start operation

1. Cleaning the compartment

Before power on, clean inside of the appliance and check the drainage pipe in good connection. (For details, please refer to the “Maintenance and cleaning”)

2. Placement

Before powering on in the first time, keep it static at least 30 minutes.

3. Power on

The appliance start operation and it will cool down inside after 1 hour, otherwise you should check the power connection.

Control panel



All keys would be invalid in lock mode. Please unlock first.

ON/OFF

1. Keep pressing the key 3 seconds, power down, goes to stand-by mode.
2. Keep pressing the key again 3 seconds to return back to normal working.

Light

Press the key, turn on or turn off the LED lights inside. In stand-by mode, the key is invalid.

Zone switch

Press the key to switch between upper zone and lower zone for choosing which zone to set temperature. Press the key once, the LED display in chosen zone flash regularly. Press up and down key to set temperature. Press the key again; switch the zone to set temperature.

UP

Press the key once, LED Display in regular flash showing current set temperature. Continue pressing to adjust set temperature, one press increase 1°C. Regular flash quit after 5 seconds detecting no press and new set temperature save. LED display return to show actual temperature inside.



Down

Press the key once, LED Display in regular flash showing current set temperature. Continue pressing to adjust set temperature, one press reduce 1°C. Regular flash quit after 5 seconds detecting no press and new set temperature save. LED display return to show actual temperature inside.



Child Lock (Combination key)

1. Lock: Press both keys at the same time for 3 seconds to lock.
2. Unlock: Press both keys at the same time for 3 seconds to unlock.



Fahrenheit/Celsius display interchange

Switch temperature display between Fahrenheit and Celsius by pressing and holding the key for 2 seconds.



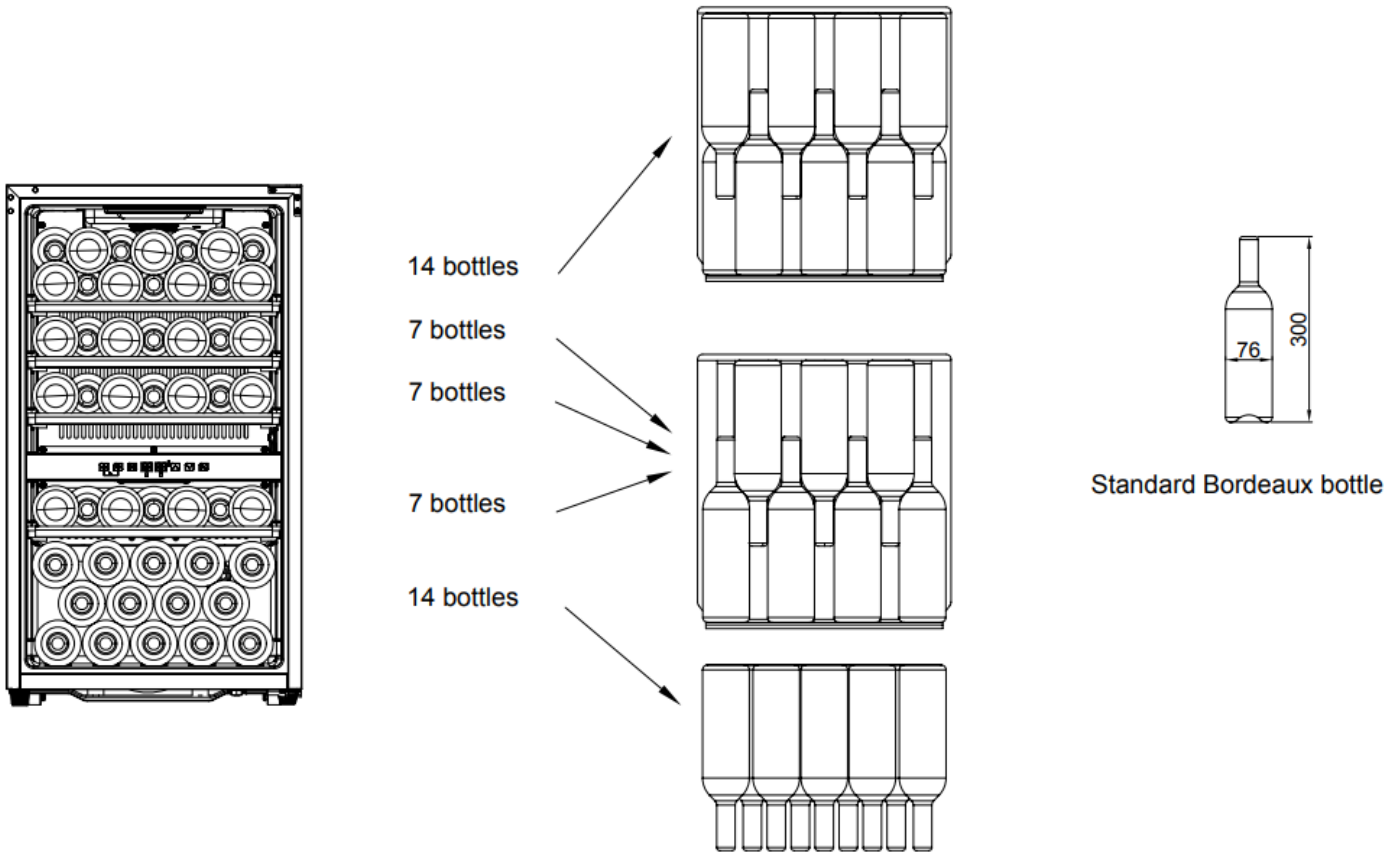
Attention

1. The ex-factory temperature of this product is 12°C, and the corresponding temperature range need to be set according to the actual wine.
2. For both upper and lower zone, the cooling temperature could be set from 5°C -22°C. But lower zone temperature will equal to or be higher than upper zone.
3. Alarm sound: when the system malfunction occur and alarm sound, press any key on the control panel to cancel the alarm sound.
4. Error code:

When the temperature sensor of upper zone failure occur, error code displays: E1 for open circuit; E2 for short circuit.

When the temperature sensor of lower zone failure occur, error code displays: E5 for open circuit; E6 for short circuit.

Wine storage

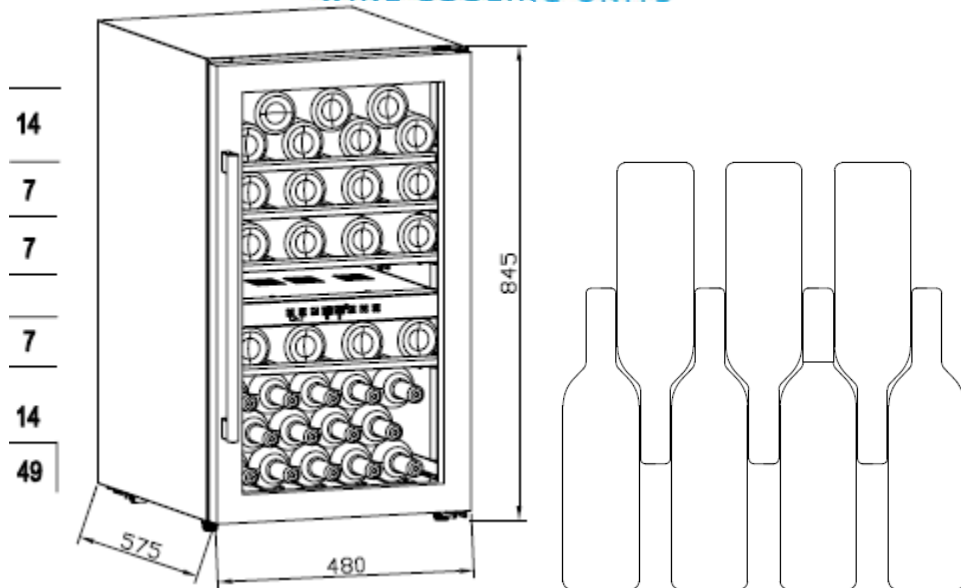


- ✧ The appliance is equipped with sufficient shelves to allow your collection of wine get mature quietly and peacefully.
- ✧ 4 shelves loading capacity: **49** bottles (standard Bordeaux with 750ml).



cavecool

WINE COOLING UNITS



- ✧ Loading capacity will vary in terms of different way of bottle arrangement or different bottle sizes.
- ✧ Each shelf is designed to put on 1 or 2 layers of wine bottles. More than 2 layers of bottle arrangement on one shelf are not recommended.
- ✧ Each shelf could pull out partly to store wine bottles easily.
- ✧ Open the door straight enough before pulling out shelves.
- ✧ The shelf should be avoided in front of the fan as much as possible to avoid blocking the fan and affecting the cooling efficiency.
- ✧ If the wine cooler would have no load for a long time, it is recommended to power it off, clean it carefully, and open the door for ventilation.
- ✧ Below table is the recommended temperature for wine storing & drinking:

Red Wine	15-18°C
White Wine	9-14°C
Rose wine	10-11°C
Champagne & sparkling wine	5- 8°C



Troubleshooting

The appliance makes lots of noise?	<ul style="list-style-type: none"> ● Please adjust the front foot, keep the appliance leveling. ● Please keep the appliance a bit space from walls.
Liquid flowing sound inside the cabinet?	<ul style="list-style-type: none"> ● It is normal because of the refrigerant working inside.
The appliance does not start?	<ul style="list-style-type: none"> ● Make sure the appliance is connected to the power properly. ● Make sure switch on the power. ● The compressor re-starts after 5 minutes for a power cut.
Compressor runs continuously?	<ul style="list-style-type: none"> ● If no cold is being produced, call after-sale service.
Door does not seal tightly?	<ul style="list-style-type: none"> ● After long time use, the door seal might get stiff & distorted partially. <ol style="list-style-type: none"> 1. Heat the door seal with hot-wind blower or hot towel. 2. The door seal gets softened and close the door.
The appliance does not cool sufficiently?	<ul style="list-style-type: none"> ● Please adjust temperature setting. ● Keep the appliance away from sunlight or heat. ● Please do not open the door frequently if no need.
Unpleasant smells inside cabinet?	<ul style="list-style-type: none"> ● A little bit plastic smell for newly-buy appliance is normal and will disappear after a short time. ● Clean the compartment and ventilate it for a few hours.
Condensate on the glass door?	<ul style="list-style-type: none"> ● Please do not open the door frequently or for a long time. ● Please do not set the temperature too low. ● High ambient temperature and humidity would cause condensate.
The light is not working?	<ul style="list-style-type: none"> ● Check the power supply first. ● Call the retailer's after-sale service if the light is broken.

Maintenance and cleaning

Cleaning

- Disconnect the appliance before cleaning.
- Clean the appliance with soft cloth or sponge by water.
- Do not use organic solvents, alkaline detergent, boiling water, washing powder or acid liquid etc.
- Do not flush the compartment of the appliance.
- Clean regularly surfaces that can come in contact with accessible drainage systems.

The below items will damage the surface of wine cooler:



Power cut

Most power cuts could be resolved within a short time. To protect your wines during a power cut, avoid opening the door as much as possible. During very long power cuts, take the necessary measures to protect your wine.

Out of service for long time

Remove all bottles from the appliance, switch off, defrost, clean, dry, and leave the door open to prevent mould developing within the appliance.



If the appliance is disconnected or if there is a power cut, you must wait at least five minutes before re-starting.

Moving the appliance

- Cut off the power supply and unplug the appliance.
- Remove all bottles from the appliance.
- When moving the appliance, do not lean the appliance over 45°.





Technical parameters

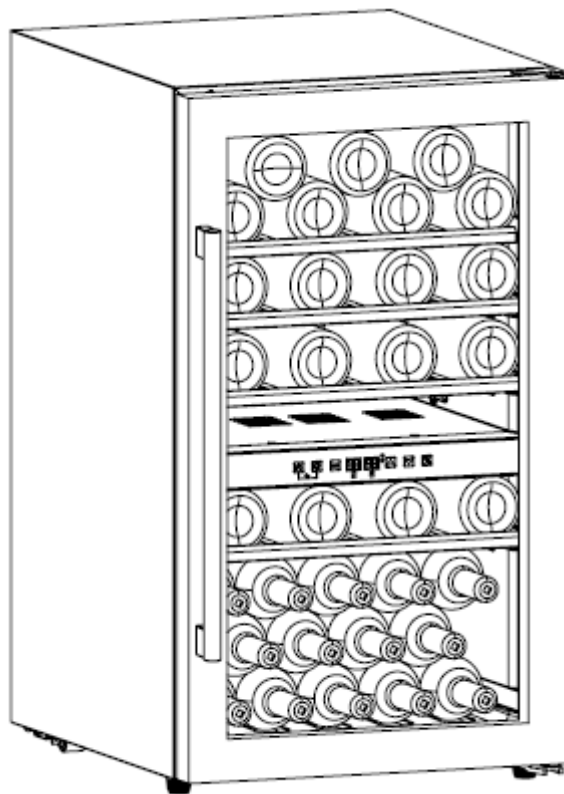
Product model	CC124DB
Voltage/frequency	220-240V~/50Hz
Refrigerant/weight	R600a/27g
Effective volume	116L
Loading capacity	49 bottles
Net weight	33kg
Unit dimension(WxDxH)	480x575x845 mm
Packing dimension(WxDxH)	510x605x890 mm

Remarks:

- 1.The net weight includes shelves and the Unit dimension is without handle on the door.
- 2.The manufacturer reserves all the rights to change the above parameters without prior notice. Please refer to the nameplate of your appliance.
- 3.Loading capacity will vary in terms of different way of bottle arrangement or different bottle sizes (standard Bordeaux with 750ml is applied here).



Vinkøleskab Betjeningsvejledning CC124DB



Tak for dit køb af dette CaveCool vinkøleskab.

www.cavecool.com



Indhold

Sikkerhed og advarsler.....	1-2
Installation.....	3
Design og funktion.....	3-6
Betjening.....	7-10
Problemløsning.....	11
Vedligehold og rengøring.....	12
Tekniske specifikationer.....	13

Sikkerhed og advarsler

Din sikkerhed er yderst vigtig for vores firma. Venligst læs denne vejledning inden du tager apparatet i brug. Skulle du være tvivl om nogle informationer i denne vejledning, venligst kontakt os.



Prohibition



Warning



Caution



Bemærk

- Dette apparat bør ikke betjenes af børn. Børn må ikke lege med apparatet, da der kan fare forbundet.
- Dette apparater beregnet til brug i private hjem og ikke til professional eller industrielt brug.



Advarsel

- Hold ventilations åbninger frie på apparatet og udluftning fri ved indbygning.
- Af sikkerhedsmæssige årsager og for at sikre vinkøleskabets optimale funktion skal alle vinkøleskabe have jordforbindelse og stå i perfekt vater på alle ledder og kanter.
- Brug ikke mekaniske apparater eller andre redskaber for at gøre afrimning og optøning hurtigere.
- Ødelæg ikke kølerør og lignende.
- Benyt ikke elektriske apparater inden i skabet.
- Apparatet må kun tilsluttes strøm i.h.t. til rating label på siden eller bagsiden af apparatet.
- Tilslut apparatet til 220-240 V / 50 Hz vekselstrøm via en korrekt installeret stikkontakt med jordforbindelse. Stikkontakten skal være sikret med en 10 -13 A sikring. Vinkøleskabet leveres med en såkaldt Schuko stikprop som er standarden i de fleste lande i Europa. Dette er et 2-benet stikprop med sidejord. Mange danske hjem har en stikkontakt med dansk jord (3 ben). I de tilfælde skal du tilkøbe en adapter hos din forhandler, som nemt klikkes på. Alternativt skal du eller en autoriseret elinstallatør skifte stikpropen til den danske 3-benede stikprop som du ligeledes kan købe hos din forhandler.
- Stikket bør være nemt tilgængeligt i tilfælde nødstop.
- Opbevar ikke benzin, brandbare væsker, og lignende indeni eller i nærheden af apparatet.

Børnesikkerhed

- Tillad ikke børn at lege inden i skabet, da de kan blive spærret inde.
- Tillad ikke børn at lege med eller hænge på døren, da skabet kan vælte.
- Tillad ikke børn at røre ved kompressor eller andre ting under skabet pga. fare.

Vinkøleskabet tåler ikke vand

Sprøjt eller hæld ikke vand i skabet, da det kan kortslutte.

Pas på fryseskader

- Rør ikke ved de indvendige flader med våde hænder, da det kan give fryse skader.

Åben ikke døren i længere tid

- Hvis døren er åben i lang tid vil det påvirke skabet køleevne.

Modificer ikke skabet

- Lav ikke konstruktions ændringer på skabet, da det kan ødelægge apparatet.

Sluk for strømmen og træk stikket ud hvis:

- Sluk for strømmen og træk stikket ud før rengøring og vedligehold.
- Træk stikket ud i tilfælde af strømsvigt i huset eller området.

Bortskaffelse af apparatet

- Skal afleveres på den nærmeste genbrugs plads
- Før du smider apparatet ud, bør døren afmonteres, så børn ikke leger med apparatet



Lav ikke skader på ledningen

- Træk ikke stikket ud ved at hive i ledningen, men kun ved at trække stikket ud.
- Stil ikke apparatet oven på ledningen.
- Rul ledningen sammen når skabet flyttes for at undgå skader.

Hvis ledninger er skadet

- Brug ikke ledningen hvis den er skadet, få en ny monteret af autoriseret montør.

Installation

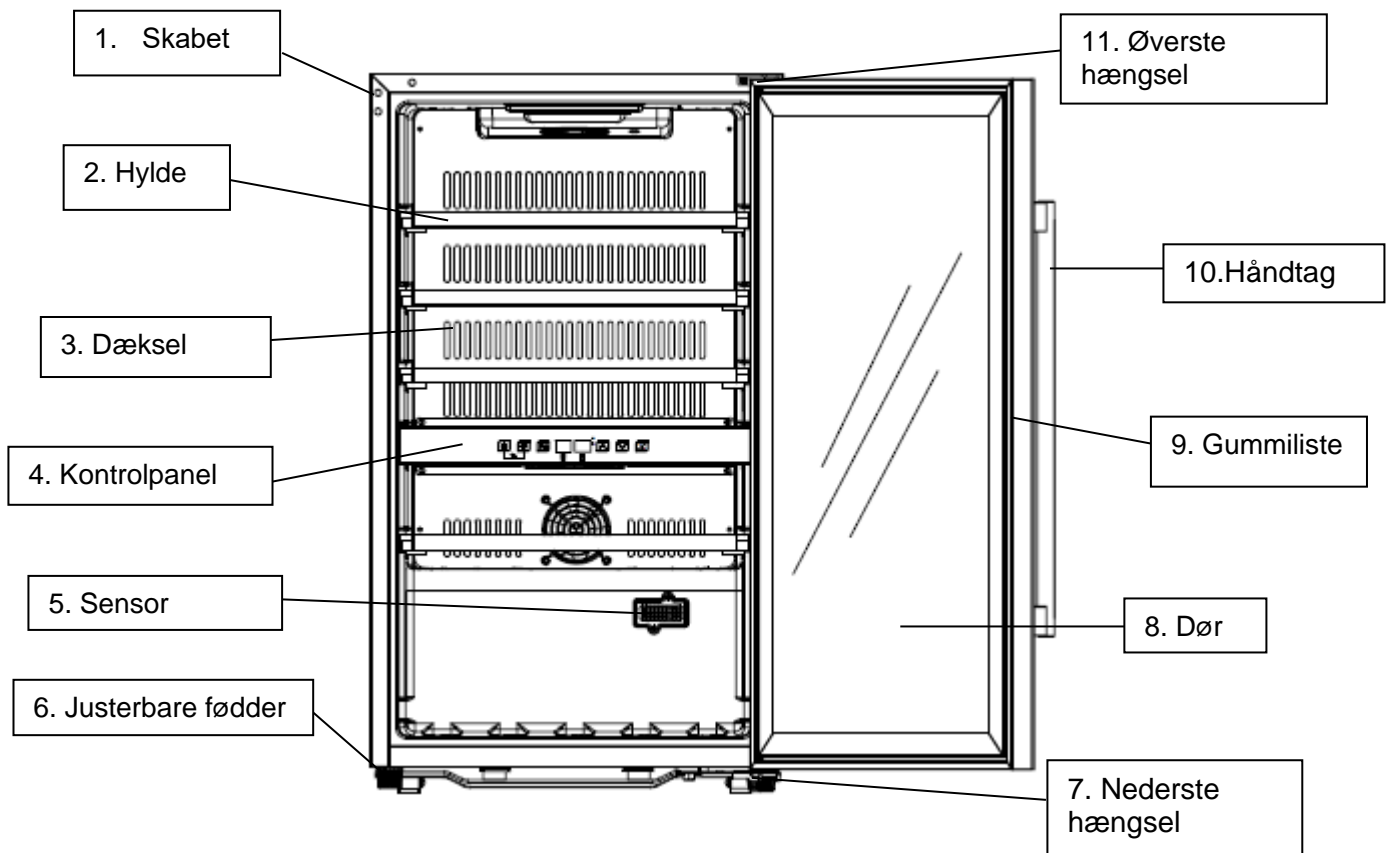
Position

- ⚠ ved flytning af apparatet bør det ikke vippes over 45°.
- ⚠ Placer ikke apparatet i et fugtigt rum.
- ⊘ Placer ikke apparatet i et rum der ikke er frost frit.
- ⊘ Placer ikke apparatet udendørs.

Vinflasker kan opbevares i skabet, så snart du kan mærke køling i skabet, efter ca. 1 time

Design og funktion

Overblik



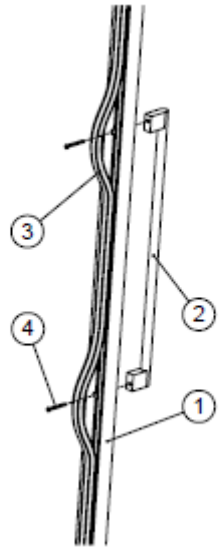
Note: Hylde, dør ramme, håndtag og andre dele kan være forskellige på forskellige modeller. Alle foto og tegninger i denne manual er kun for reference.

Installation af dørhåndtag og vending af døren

1. Monter håndtaget på dør rammen.

Håndtaget følger med i en separate pakke med skruer og ligger i skabet.

① Ved at trække et lille stykke af gummilisten fri, kan man se 2 småskruer huller i dørrammen ② Sæt skruerne i hullerne indefra og monter håndtaget på ydersiden af døren ③ Stram skruerne med en skruetrækker ④ Sæt gummilisten på plads igen.



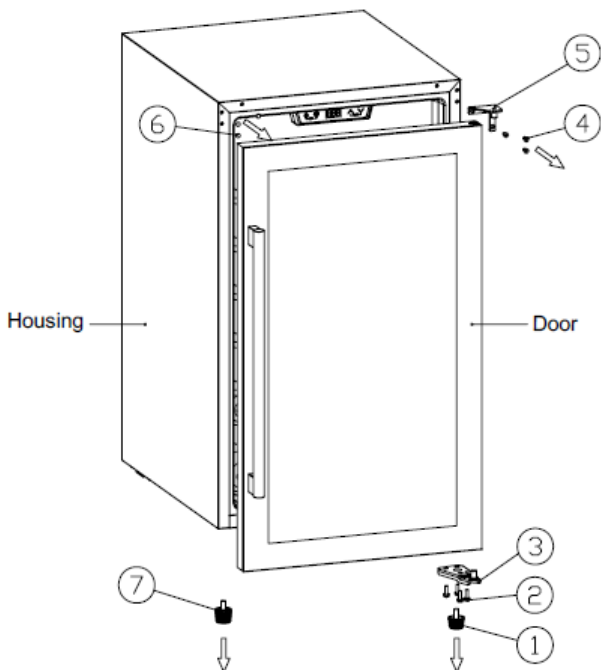
2. Vending af døren

Vinkøleskabet er leveret med åbning fra venstre til højre.

Se billede 1

- 1) Luk døren.
- 2) Fjern den korte kabinet fod ① ved det nederste højre hjørne. Skru skruerne ud ②, Tag det nederste højre dørhængsel af ③, Tag døren lidt ned og fjern den fra kabinettet. Stil døren til side.
- 3) Skru skruerne ud ④, Tag det øverste højre beslag af ⑤, Tag hængseldækslet af i øverste venstre hjørne ⑥, Fjern kabinet foden i nederste venstre hjørne ⑦.

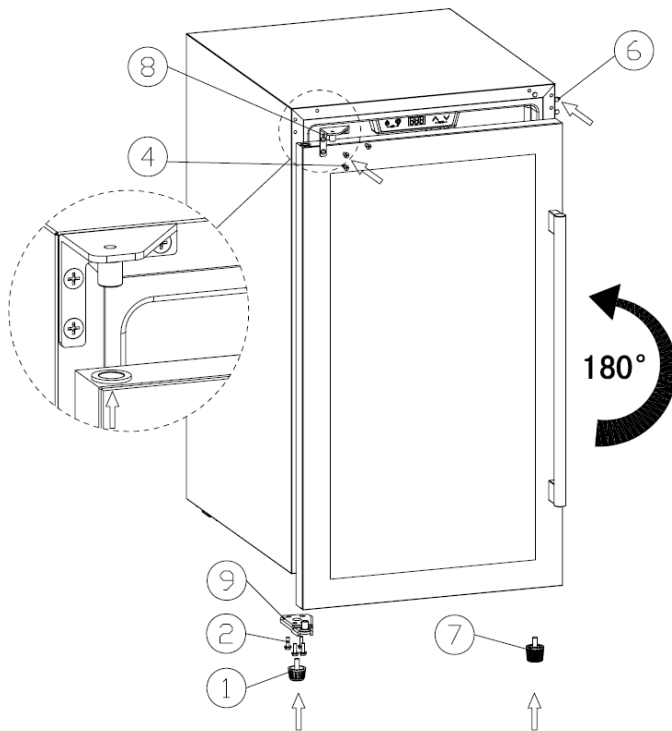
Billede 1



Se billede 2

- 4) Sæt det øverste venstre hængsel på ⑧ (ekstra hængslet ligger pakket separat sammen med manualen.) og skru skrueene i ④.
- 5) Drej døren 180 grader for at sikre at håndtaget sidder i højre side. Monter derefter døren ved at få hullet i det øverste hjørne af døren til at matche stopperen på det øverste venstre hængsel ⑧, monter det nederste venstre dørhængsel ⑨, skru skrueene i ②, sæt den korte kabinetsfod på ① i nederste venstrehjørne, monter den anden kabinetsfod ⑦ i nederste højre hjørne, og til sidst monteres hængseldækslet i øverste højre hjørne ⑥.

Billede 2



Betjening

Opstart

1. Rengøring af skabet

Før strømmen tilsluttes bør apparatet rengøres. (For detaljer, se “Vedlige og Rengøring”)

2. Placering

Før skabet tilsluttes strøm, bør det stå i mindst 30 minutter.

3. Tilslut og Tænd

Apparatet vil starte nedkøling som tager ca. 1 time inden det kan mærkes.

Kontrol panel



Alle knapper virker ikke hvis skabe er i “Låst mode”. Husk at låse op først.



Tænd / Sluk

1. Hold knappen inde i 3 sekunder, for at tænde.
2. Hold knappen inde i 3 sekunder for at slukke.



Lys

Tryk på knappen, for at tænde eller slukke Led lyset inde i skabet.



OP

Tryk på knappen én gang, LED Display blinker og viser den faktiske temperatur. Fortsæt med at trykke for at justerer den ønskede temperatur, et tryk øger temperaturen med 1°C. Efter 5 sekunder uden tryk på knappen holder displayet op med at blinke og den ny temperatur er sat. LED displayet viser nu den faktiske temperatur i skabet.



NED

Tryk på knappen én gang, LED Display blinker og viser den faktiske temperatur. Fortsæt med at trykke for at justerer den ønskede temperatur, et tryk sænker temperaturen med 1°C. Efter 5 sekunder uden tryk på knappen holder displayet op med at blinke og den ny temperatur er sat. LED displayet viser nu den faktiske temperatur i skabet.



 **Børnelås (Kombinationsknapper)**

1. Lås: Trykke begge knapper samtidigt i 3 sekunder for at låse.
2. Lås op: Trykke begge knapper samtidigt i 3 sekunder for at låse op.



 **Fahrenheit/Celsius display Skift**

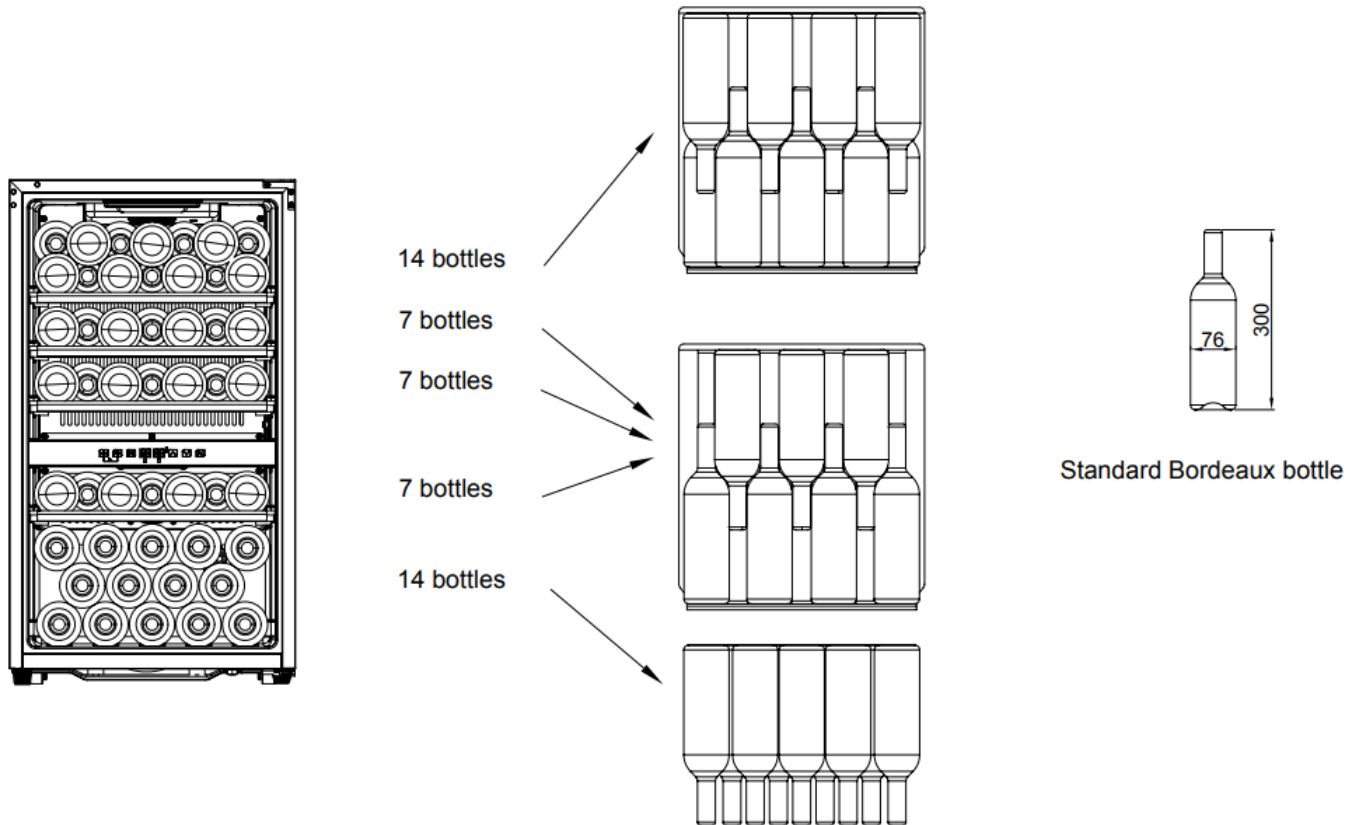
Skift temperaturvisning i displayet mellem Fahrenheit og Celsius ved at trykke på begge knapper.



Bemærk

1. Produktet er indstillet til 12°C fra fabrikken. Den korrekte temperatur til den enkelte vin skal indstilles af brugeren.
2. Temperaturen kan justeres fra **5 til 20°C**.
3. Alarm lyd: Hvis systemet svigter vil en alarm lyde. Tryk på en vilkårlig knap på kontrol panelet for at annullere lyden.
4. Temperatur sensor svigt:
Hvis en temperatursensor svigter, vil displayet vise E1 for midlertidig fejl; E2 for kortslutning.

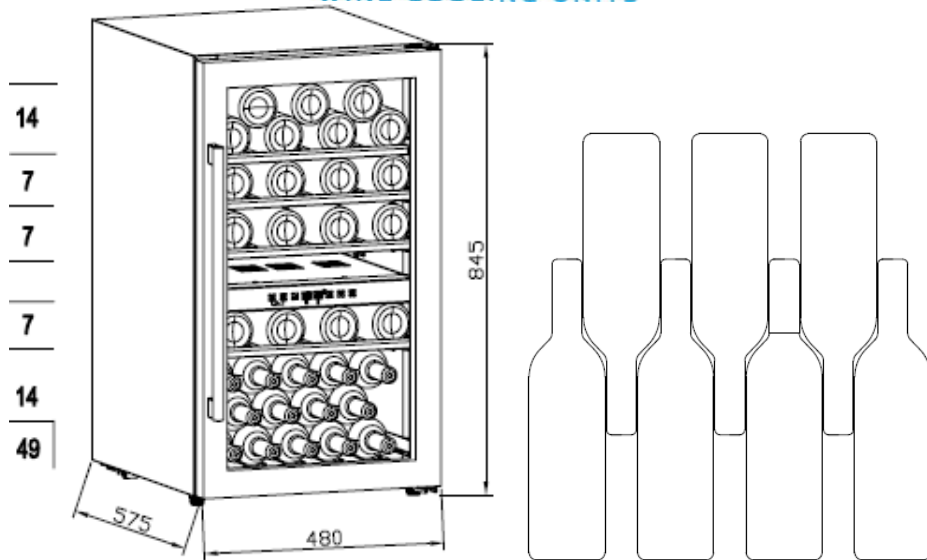
Opbevaring af vin



- ❖ Dette vinkøleskab har individuelle hylder til opbevaring af din vin, stille og roligt uden at flasken skal flyttes hele tiden.
- ❖ 3+1 træhylder kan opbevare: **49** flasker. (standard Bordeaux 750ml)



cavecool
WINE COOLING UNITS



- ✧ Opbevaringskapacitet kan variere i.h.t. flaskernes placering og størrelser.
- ✧ Hver hylde er designet to 1 eller 2 lag af flasker. Mere end 2 lag af flasker per hylde kan ikke anbefales.
- ✧ Hver hylde kan trækkes delvis ud for nemmere adgang.
- ✧ Åben døren helt op inden hyldeerne trækkes ud.
- ✧ Undgå at blokerer ventilatoren med genstande, da det vil skade køle evnen.
- ✧ Hvis skabet er tomt I længere tid, anbefaler vi at skabet slukkes, rengøres, og åben døren for udluftning.
- ✧ Nedenstående er vores anbefaling for temperaturer til opbevaring og drikning:

Rødvin	15-18°C
Hvidvin	9-14°C
Rosevin	10-11°C
Champagne & Mousserende	5- 8°C

Problemløsning

Apparatet larmer meget	<ul style="list-style-type: none"> ● Juster de forreste fødder, for at holde apparatet i vater/lige ● Undgå at apparatet rører ved væggen bag.
Væskelyd indefra skabet	<ul style="list-style-type: none"> ● Dette er normal medens apparatet kører
Apparatet kan ikke starte	<ul style="list-style-type: none"> ● Forvis dem om at stikket er sat i og strømmen tændt ● Kompressoren vil auto starte efter 5 minutter efter strømsvigt
Kompressoren kører hele tiden	<ul style="list-style-type: none"> ● Hvis der ikke producers kulde skal der ringes efter service
Dør gummiliste slutter ikke tæt	<ul style="list-style-type: none"> ● Efter lang tids brug kan gummilisten blive stiv og ude af facon. 3. Opvarm gummilisten med varm luft blæser eller et varmt håndkæde.
Apparatet køler ikke effektivt	<ul style="list-style-type: none"> ● Juster temperaturen på displayet ● Hold apparatet væk fra sollys og varmekilder. ● Åben ikke døren konstant.
Ubehagelig lugt inde i skabet	<ul style="list-style-type: none"> ● En smule plastik lugt i nye apparater er normalt og vil forsvinde efter et stykke tid. ● Rengør apparatet og udluft det i et stykke tid
Kondensvand på glasdøren	<ul style="list-style-type: none"> ● Åben ikke døren konstant, lad den være lukket i længere tid. Sæt ikke temperatur for lavt ● Høj temperatur og luftfugtighed i omgivelserne skaber også kondens i skabet
Lyset virker ikke?	<ul style="list-style-type: none"> ● Forvis dem om stikket er sat i og strømmen tændt. ● Ring efter service hvis lyset er itu

Vedligehold og rengøring

Rengøring

- Sluk for strømmen og træk stikket ud inden rengøring begyndes.
- Rens apparatet med en fugtig klud eller svamp med vand.
- Brug ikke rengøringsmidler, opvaskemiddel, kogende vand, vaskepulver eller lignende.
- Skyl ikke apparatet hverken indvendigt eller udvendigt.

Nedenstående vil ødelægge overflade på apparatet:



Strømsvigt

De fleste strømsvigt ophører efter kort tid. For at beskytte vinen i tilfælde af strømsvigt bør du undgå at åbne døren.

Ude af brug i længere tid

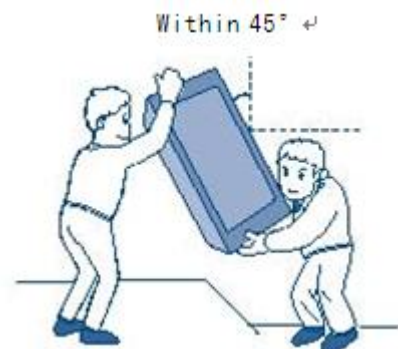
Fjern alle flasker fra apparatet, sluk apparatet og træk stikket ud, defrost, rengør skabet og lad døren stå åben for udluftning.



Hvis apparatet slukkes eller der er strømsvigt, vent venligst 5 minutter inden gen-start.

Flytning af apparatet

- Sluk for strømmen og træk stikket ud
- Fjern alle flasker.
- Under flytning må apparatet ikke tippes/ hælde mere end 45°.



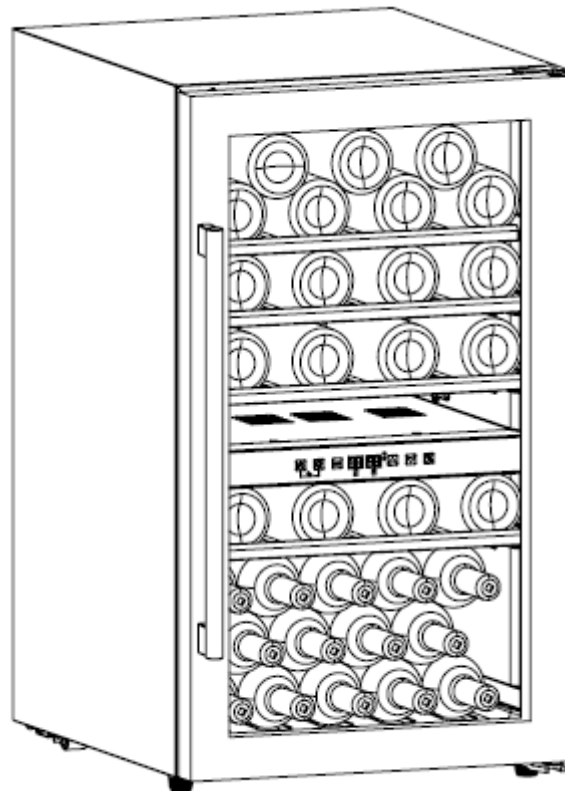
Teknisk specifikationer

Produkt model	CC124DB
Volt/frekvens	220-240V~/50Hz
Kølevæske/vægt	R600a/27g
Volumen	116L
Antal flasker	49 flasker
Nettovægt	33kg
Dimensioner (BxDxH)	480x575x845 mm
Dimensioner indpakket (BxDxH)	510x605x890 mm

Bemærkninger:

1. Nettovægten inkluderer hylder. Dimensioner er uden dørhåndtag.
2. Producenten forbeholder sig retten til at ændre ovenstående parameter uden varsel. Referer venligst til navnepladen på dit product.
3. Kapaciteten kan variere afhængigt af hvilke flasker, der lægges i vinkøleskabet og, hvordan de ligger. Her bruges standard Bordeaux flasker (750ml).

Weinkühlschrank Bedienungsanleitung CC124SB



Danke für Ihren Kauf dieses CaveCool-Weinkühlschranks.

www.cavecool.com



Inhalt

Sicherheit und Warnungen	1-2
Installation	3
Design und Funktion.....	3-6
Bedienung	7-10
Problembehebung	11
Wartung und Reinigung	12
Technische Spezifikationen	13

Sicherheit und Warnungen

Ihre Sicherheit ist unserem Unternehmen äußerst wichtig. Bitte lesen Sie vor der Nutzung diese Anleitung. Falls Sie zu einigen Angaben in dieser Anleitung Fragen haben, können Sie uns gerne kontaktieren.



Prohibition



Warning



Caution



Achtung

- Dieses Gerät sollte nicht von Kindern bedient werden. Kinder dürfen nicht mit dem Gerät spielen, da dies mit Gefahren verbunden sein kann.
- Diese Geräte sind zur Nutzung im Haushalt konzipiert und nicht für die professionelle Nutzung oder die Industrie.



Warnung

- Die Lüftungsöffnungen am Gerät und die Lüftung müssen beim Einbau freigehalten werden.
- Aus Sicherheitsgründen und um die optimale Funktion des Weinkühlschranks zu gewährleisten, müssen alle Weinkühlschränke eine Erdung besitzen und präzise waagrecht und senkrecht ausgerichtet sein.
- Es dürfen keine mechanischen Geräte oder andere Hilfsmittel verwendet werden, um das Enteisen und Abtauen zu beschleunigen.
- Die Kühlrohre u. Ä. nicht beschädigen.
- Im Schrank keine elektrischen Geräte verwenden.
- Das Gerät darf nur gemäß Etikett an der Seite oder Rückseite des Geräts angeschlossen werden.
- Das Gerät an 220-240 V / 50 Hz Wechselstrom über eine korrekt installierte Steckdose mit Erdung anschließen.
- Die Steckdose muss mit einer Sicherung von 10-13 A gesichert sein. Der Weinkühlschrank verfügt über einen Schuko-Stecker, der in den meisten europäischen Ländern Standard ist. Es ist ein Stecker mit zwei Kontaktstiften.
- Falls bei Ihnen eine 3-polige Steckdose vorhanden sein sollte, können Sie beim Händler Ihres Vertrauens einen Adapter kaufen, der einfach aufgesteckt werden kann. Alternativ können Sie oder ein autorisierter Elektroinstallateur den Stecker durch einen Stecker mit drei Kontaktstiften ersetzen.
- Der Stecker sollte im Falle eines Not-Ausschaltens leicht zugänglich sein.
- In der Nähe des Geräts oder im Gerät dürfen Benzin, brennbare Flüssigkeiten und Ähnliches nicht aufbewahrt werden.

Kindersicherheit

- Kindern darf das Spielen im Schrank nicht gestattet werden, da sie versehentlich eingesperrt werden können.
- Kindern darf das Spielen mit oder Hängen an der Tür nicht gestattet werden, da der Schrank umkippen kann.
- Kindern darf aus Sicherheitsgründen das Berühren des Kompressors oder anderer Dinge nicht gestattet werden.

Der Weinkühlschrank verträgt kein Wasser

- Es darf kein Wasser in den Schrank gespritzt oder gegossen werden, da die Gefahr eines Kurzschlusses besteht.

Frostschäden vermeiden

- Die Innenflächen nicht mit nassen Händen berühren, da dies Frostschäden verursachen kann.

Die Tür nicht längere Zeit öffnen

- Falls die Tür lange Zeit offen steht, wird die Kühlfähigkeit beeinträchtigt.

Den Schrank nicht verändern

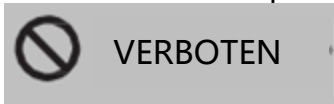
- Es dürfen keine Änderungen an der Konstruktion des Schrankes vorgenommen werden, da so das Gerät beschädigt werden kann.

In folgenden Fällen die Stromzufuhr unterbrechen und den Stecker herausziehen:

- Vor der Reinigung und Wartung die Stromzufuhr unterbrechen und den Stecker herausziehen.
- Den Stecker im Falle eines Stromausfalls im Haus oder Gebiet herausziehen.

Entsorgung des Geräts

- Das Gerät auf dem nächsten Recyclinghof entsorgen.
- Vor der Entsorgung des Geräts sollte die Tür demontiert werden, damit die Kinder nicht mit dem Gerät spielen.



Keine Schäden am Kabel verursachen!

- Den Stecker nicht durch Ziehen an der Leitung herausziehen, sondern nur direkt am Stecker ziehen.
- Das Gerät nicht auf die Leitung stellen.
- Beim Verschieben des Schrankes die Leitung aufrollen, um Schäden zu vermeiden.

Bei einer beschädigten Leitung

- Eine beschädigte Leitung nicht verwenden, sondern eine neue von einem autorisierten Monteur anbringen lassen

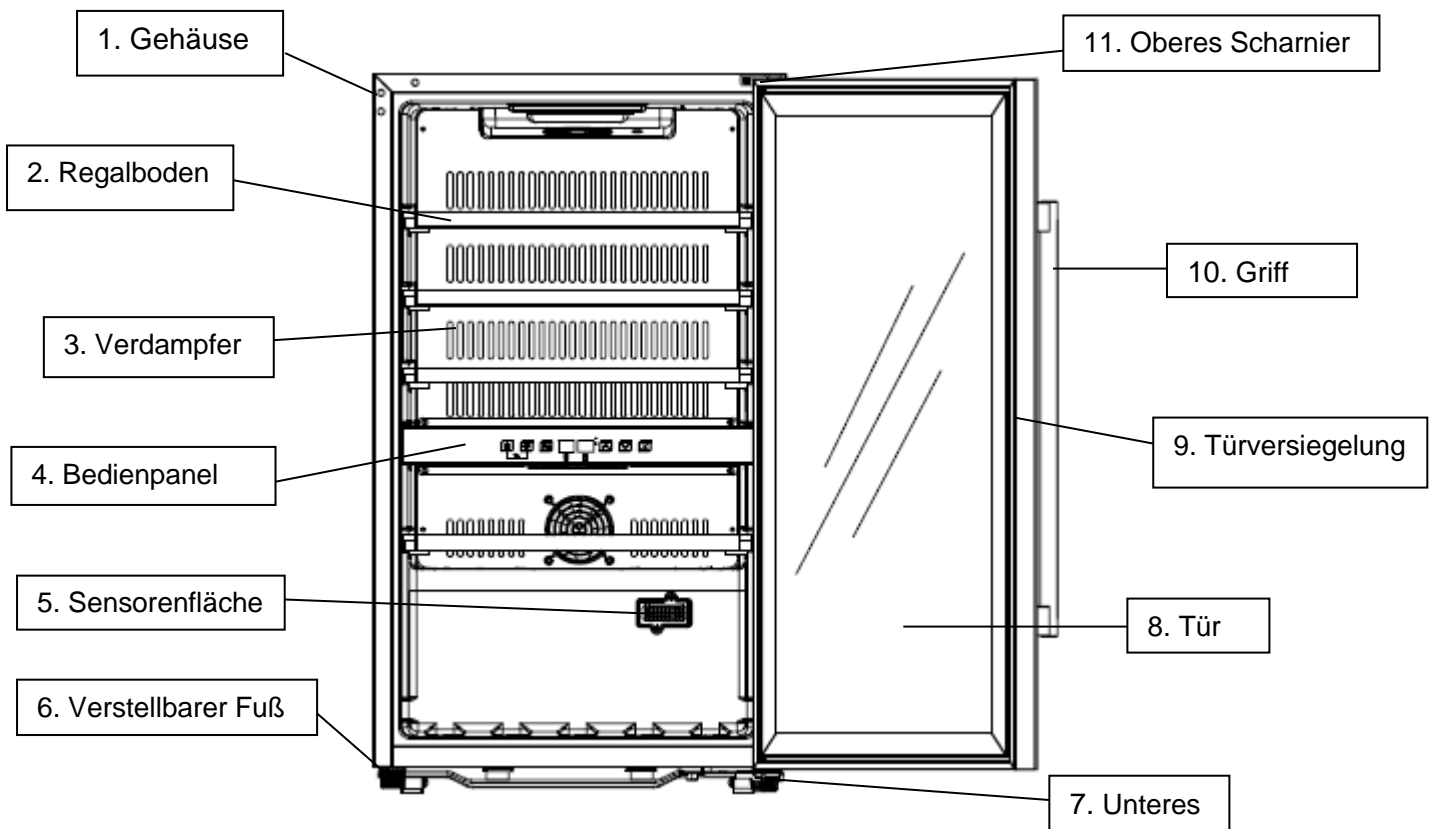
Installation

Position

- ⚠ Verschieben des Geräts sollte es nicht um mehr als 45° geneigt werden.
- ⚠ Das Gerät nicht in einen feuchten Raum stellen.
- ⊘ Das Gerät nicht in einen Raum stellen, in dem Frost auftreten kann.
- ⊘ Das Gerät nicht nach draußen stellen.

Die Weinflaschen können im Schrank gelagert werden, sobald nach ca. 1 Stunde eine Kühlung im Schrank spürbar ist.

Design und Funktion Übersicht



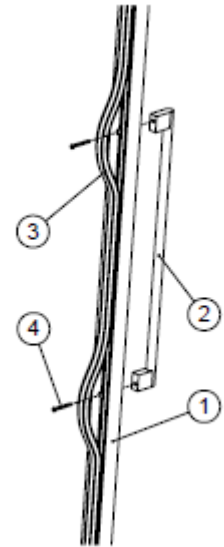
Achtung: Regalböden, Türrahmen, Griff und weitere Teile können bei den verschiedenen Modellen unterschiedlich ausfallen. Alle Abbildungen und Skizzen in dieser Anleitung sind nur eine Referenz.

Installation des Türgriff und Wechsel des Türanschlags

1. Den Griff am Türrahmen montieren.

Der Griff liegt in einem separaten Paket mit Schrauben bei und liegt im Schrank.

① Durch das Hervorziehen eines kleinen Stücks der Gummileiste werden 2 Löcher für kleine Schrauben sichtbar. ② Die Schrauben von innen in die Löcher platzieren und den Griff an der Außenseite der Tür montieren. ③ Die Schrauben mit einem Schraubenzieher anziehen. ④ Die Gummileiste erneut anbringen.



2. Wechseln des Türanschlags

Der Weinkühlschrank wird mit einer Öffnung von links nach rechts geliefert. Zum Wechseln des Türanschlags:

Siehe Abbildung 1.

- 1) Die Tür schließen.
- 2) Den kurzen Schrankfuß ① an der Ecke unten rechts entfernen. Die Schrauben herausdrehen ②, das Türscharnier unten rechts abnehmen ③, die Tür ein wenig absenken und vom Schrank entfernen. Die Tür beiseite stellen.
- 3) Die Schrauben herausdrehen ④, die Halterung oben rechts entfernen ⑤, die Scharnierabdeckung in der Ecke oben links entfernen ⑥, den Schrankfuß in der Ecke unten links entfernen ⑦.

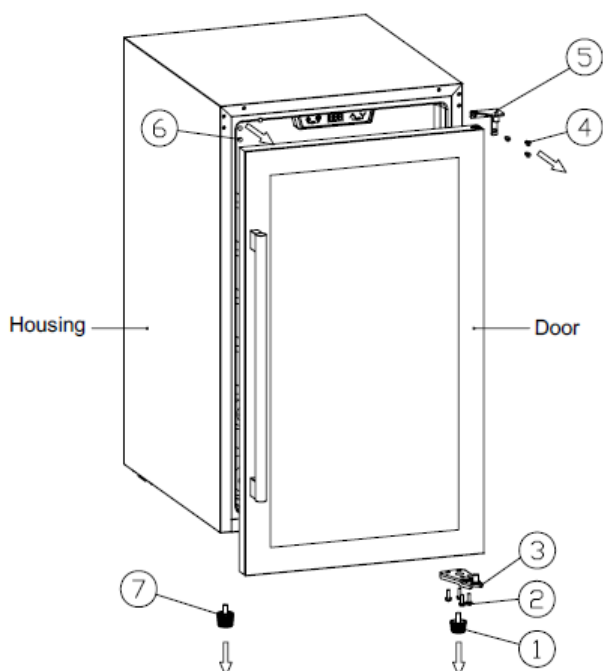
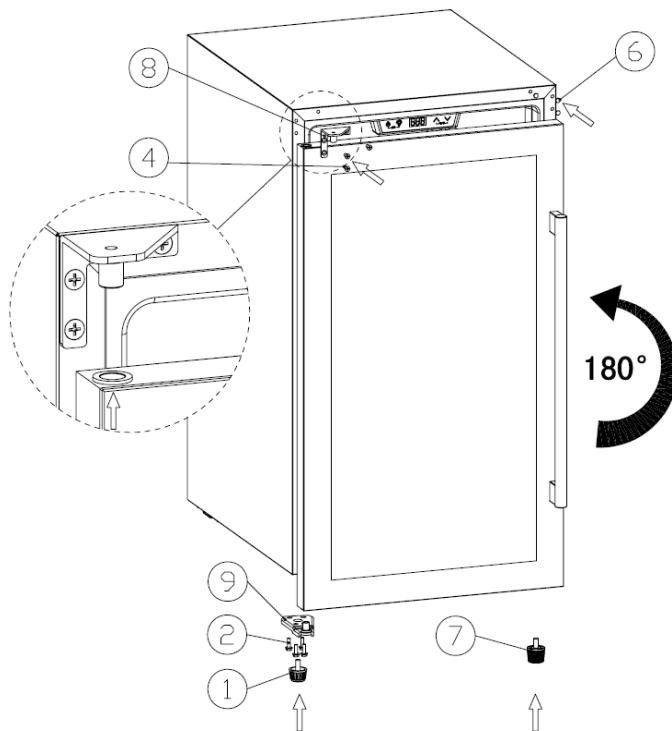


Abbildung 1

Siehe Abbildung 2.

- 1) Das Scharnier oben links einsetzen (8) (ein zusätzliches Scharnier ist separat mit der Bedienungsanleitung verpackt) und die Schrauben eindrehen. (4)
- 2) Die Tür um 180 Grad rotieren um zu gewährleisten, dass sich der Griff auf der rechten Seite befindet. Danach die Tür montieren, indem sich das Loch oben in der Tür mit dem Stopper auf dem Scharnier oben links deckt. (8) Das Türscharnier unten links montieren, die Schrauben anbringen, (2) den kurzen Schrankfuß in der Ecke (1) unten links anbringen, den anderen Schrankfuß (7) in der Ecke unten rechts anbringen und zum Schluss die Scharnierabdeckung in der Ecke oben rechts anbringen (6).

Abbildung 2



Bedienung

Start

1. Reinigung des Schrankes

Vor dem Anschließen des Stroms sollte das Gerät gereinigt werden (Details siehe „Wartung und Reinigung“).

2. Platzierung

Bevor der Schrank an die Stromquelle angeschlossen wird, muss er mind. 30 Minuten lang stehen.

3. Anschluss und Einschalten

Das Gerät beginnt mit dem Kühlprozess, dessen Effekt nach ca. 1 Stunde merkbar ist.

Bedienpanel



Sämtliche Tasten funktionieren nicht, wenn sich der Schrank im Verriegelungsmodus befindet. Bitte zuerst entriegeln.



Ein / Aus

1. Zum Einschalten die Taste 3 Sekunden lang gedrückt halten.
2. Zum Ausschalten die Taste 3 Sekunden lang gedrückt halten.



Licht

Die Taste betätigen, um das LED-Licht im Schrank ein- und auszuschalten.



UP

Die Taste einmal betätigen. Das LED-Display blinkt und zeigt die reelle Temperatur an. Zum Einstellen der gewünschten Temperatur weiterhin drücken. Ein Druck erhöht die Temperatur um 1°C. Nach 5 Sekunden ohne Betätigen der Taste blinkt das Display nicht mehr und die neue Temperatur ist eingestellt. Das LED-Display zeigt nun die reelle Temperatur im Schrank an.



DOWN

Die Taste einmal betätigen. Das LED-Display blinkt und zeigt die reelle Temperatur an. Zum Einstellen der gewünschten Temperatur weiterhin drücken. Ein Druck senkt die Temperatur um 1°C. Nach 5 Sekunden ohne Betätigen der Taste blinkt das Display nicht mehr und die neue Temperatur ist eingestellt. Das LED-Display zeigt nun die reelle Temperatur im Schrank an.



Kindersicherung (Kombinationstasten)

1. Verriegeln: Zum Verriegeln beide Tasten 3 Sekunden lang gedrückt halten.
2. Entriegeln: Zum Entriegeln beide Tasten 3 Sekunden lang gedrückt halten.



Wechsel zwischen Fahrenheit/Celsius am Display

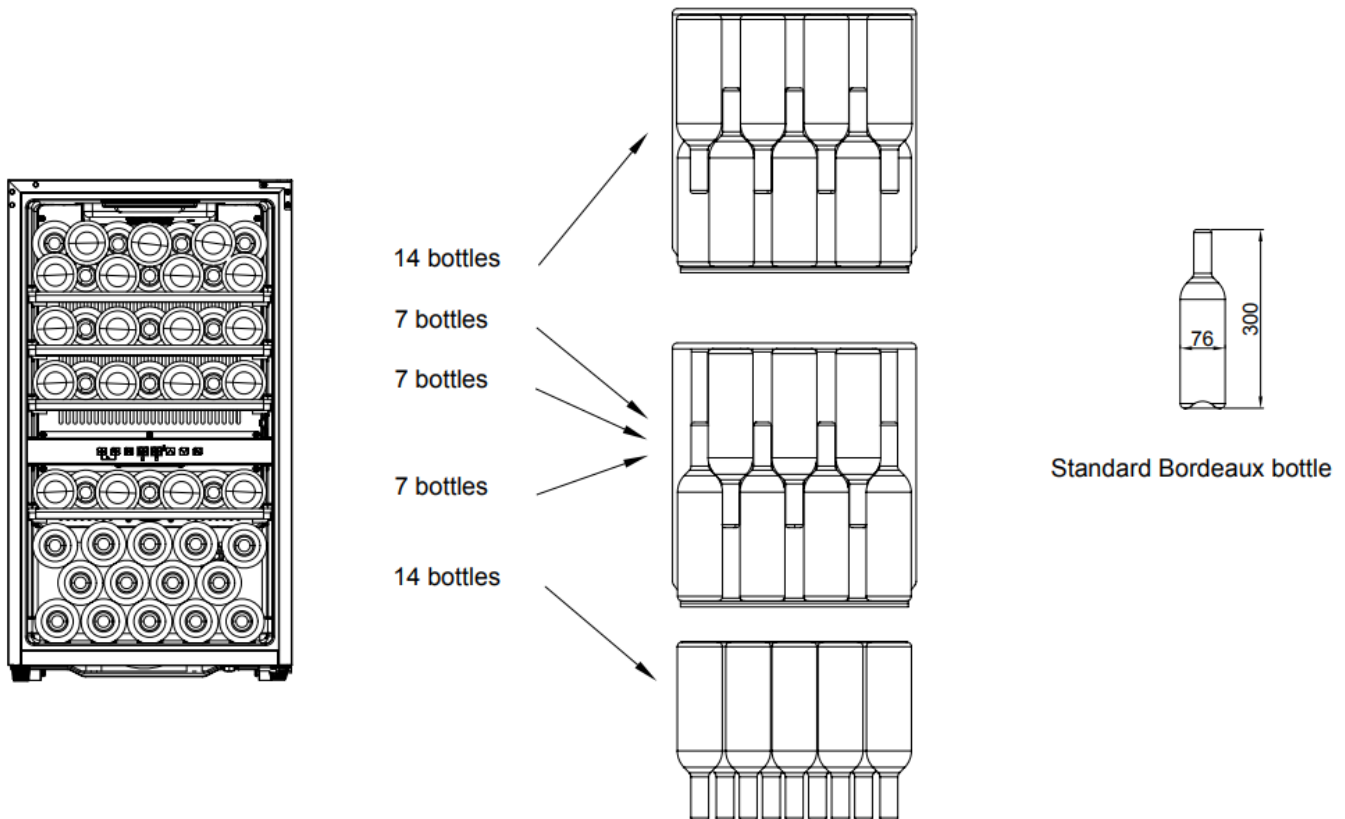
Durch einen Druck auf beide Tasten wird die Temperaturanzeige am Display zwischen Celsius und Fahrenheit gewechselt.



Achtung

1. Das Produkt ist werksseitig auf 12 °C eingestellt. Die für den jeweiligen Wein korrekte Temperatur muss vom Nutzer eingestellt werden.
2. Die Temperatur kann von **5 bis 20 °C** eingestellt werden.
3. Alarmgeräusche: Falls das System ausfällt, ertönt ein Alarm. Um das Geräusch auszuschalten, eine beliebige Taste am Bedienpanel aktivieren.
4. Ausfall eines Temperatursensors:
Falls ein Temperatursensor ausfällt, wird auf dem Display E1 bei einem vorübergehenden Fehler und E2 bei einem Kurzschluss angezeigt.

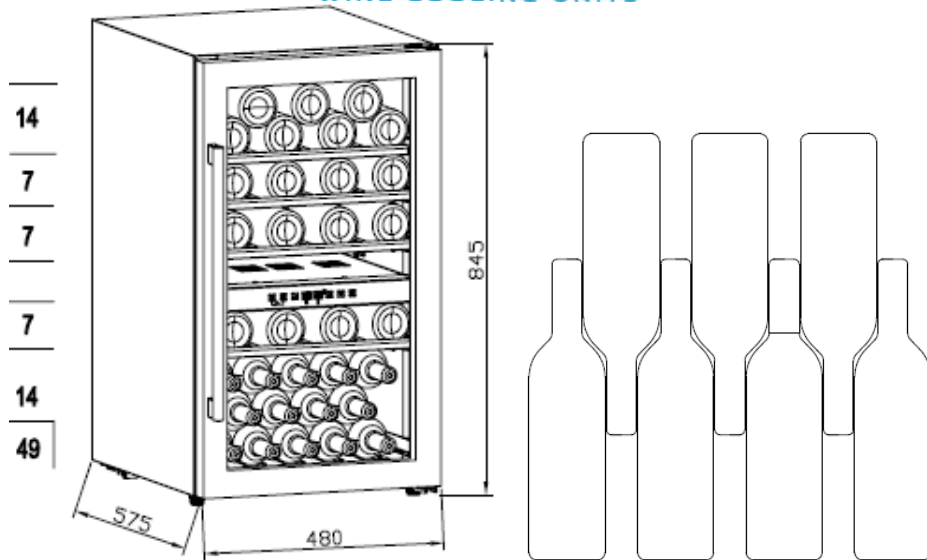
Lagerung von Wein



- ✧ Dieser Weinkühlschrank verfügt über individuelle Regalböden zum Lagern Ihres Weins - ohne dass die Flaschen konstant verlagert werden müssen.
- ✧ Auf 3+1 Holzregalböden können **49** Flaschen gelagert werden (Standard-Bordeauxflaschen von 750 ml).



cavecool
WINE COOLING UNITS



- ✧ Die Lagerungskapazität kann je nach Platzierung und Größe der Flaschen variieren.
- ✧ Jeder Regalboden ist für 1 oder 2 Flaschenschichten konzipiert. Mehr als 2 Flaschen pro Regalboden sind nicht empfehlenswert.
- ✧ Jeder Regalboden ist für einen leichteren Zugriff teilweise herausziehbar.
- ✧ Vor dem Herausziehen der Regalböden die Tür komplett öffnen.
- ✧ Das Gebläse sollte nicht mit Gegenständen blockiert werden, da dies die Kühlfähigkeit beeinträchtigt.
- ✧ Falls der Schrank längere Zeit leersteht, empfehlen wir, den Schrank auszuschalten, zu reinigen und die Tür zum Lüften zu öffnen.
- ✧ Nachfolgend unsere Empfehlung für Temperaturen zur Lagerung und zum Genuss:

Rotwein	15-18°C
Weißwein	9-14°C
Roséwein	10-11°C
Champagner & Schaumweine	5- 8°C

Problembhebung

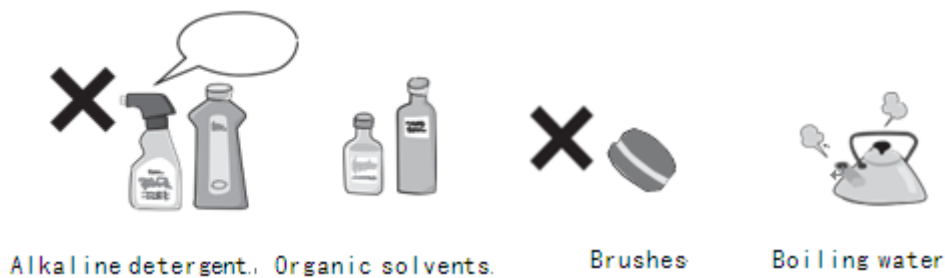
Das Gerät ist sehr laut	<ul style="list-style-type: none"> ● Die vorderen Standfüße justieren, um das Gerät waagrecht zu halten. ● Das Gerät sollte nicht die Hinterwand berühren.
Flüssigkeitsgeräusch aus dem Schrankinneren	<ul style="list-style-type: none"> ● Dies ist während des Betriebs normal.
Das Gerät startet nicht	<ul style="list-style-type: none"> ● Stellen Sie sicher, dass der Stecker eingesteckt und der Strom eingeschaltet ist. ● Der Kompressor startet automatisch 5 Minuten nach einem Stromausfall.
Der Kompressor läuft konstant	<ul style="list-style-type: none"> ● Falls keine Kälte erzeugt wird, muss der Service kontaktiert werden.
Die Gummileiste an der Tür schließt nicht komplett	<ul style="list-style-type: none"> ● Nach langer Nutzung kann die Gummileiste steif und unförmig werden. <p>1. Die Gummileiste mit einem Warmluftgebläse oder einem warmen Handtuch aufwärmen.</p>
Das Gerät kühlt nicht effektiv	<ul style="list-style-type: none"> ● Die Temperatur am Display justieren. ● Das Gerät von Sonnenlicht und Wärmequellen fernhalten. ● Die Tür nicht konstant öffnen.
Im Schrank tritt ein unangenehmer Geruch auf	<ul style="list-style-type: none"> ● Ein leichter Kunststoffgeruch in neuen Geräten ist normal und verschwindet nach kurzer Zeit. ● Das Gerät reinigen und eine Zeit lang auslüften
Kondensatbildung an der Glastür	<ul style="list-style-type: none"> ● Die Tür nicht konstant öffnen; längere Zeit geschlossen lassen. Die Temperatur nicht zu niedrig einstellen. ● Eine hohe Temperatur und Luftfeuchtigkeit in der Umgebung führen ebenfalls zur Kondensatbildung im Schrank
Das Licht funktioniert nicht	<ul style="list-style-type: none"> ● Stellen Sie sicher, dass der Stecker eingesteckt und der Strom eingeschaltet ist. ● Falls das Licht kaputt ist, den Service anrufen

Wartung und Reinigung

Reinigung

- Vor der Reinigung die Stromzufuhr unterbrechen und den Stecker herausziehen.
- Das Gerät mit einem feuchten Tuch oder einem nassen Schwamm reinigen.
- Keine Reinigungsmittel, Geschirrspülmittel, kochendes Wasser, Waschpulver oder Ähnliches verwenden.
- Das Gerät weder von außen oder innen ausspülen.

Folgendes zerstört die Oberfläche des Geräts:



Stromausfall

Die meisten Stromausfälle gehen nach kurzer Zeit vorüber. Um den Wein im Falle eines Stromausfalls zu schützen, sollte ein Öffnen der Tür vermieden werden.

Längere Zeit nicht in Betrieb

Fjern alle flasker fra apparatet, sluk apparatet og træk stikket ud, defrost, rengør skabet og lad døren stå åben for udluftning.



Hvis apparatet slukkes eller der er strømsvigt, vent venligst 5 minutter inden gen-start.

Verschieben des Geräts

- Die Stromzufuhr unterbrechen und den Stecker herausziehen.
- Alle Flaschen entfernen.
- Beim Verschieben darf das Gerät nicht um mehr als 45° geneigt/gekippt werden.



Technische Spezifikationen

Produktmodell	CC124DB
Volt/Frequenz	220-240V~/50Hz
Kühlflüssigkeit/Menge	R600a/27g
Volumen	116L
Flaschenkapazität	49 Flaschen
Nettogewicht	33kg
Abmessungen (BxTxH)	480x575x845 mm
Paketabmessungen (BxTxH)	510x605x890 mm

Bemerkungen:

1. Das Nettogewicht ist einschließlich der Regelböden. Die Abmessungen sind ohne Griff.
2. Der Hersteller behält sich das Recht vor, die oben genannten Parameter ohne Vorankündigung zu ändern. Bitte beziehen Sie sich auf die Produktplakette.
3. Die Kapazität kann je nach Flaschenart, die im Weinkühlschrank lagern sollen, und deren Position variieren. Hier werden Standard-Bordeauxflaschen (750 ml) verwendet.